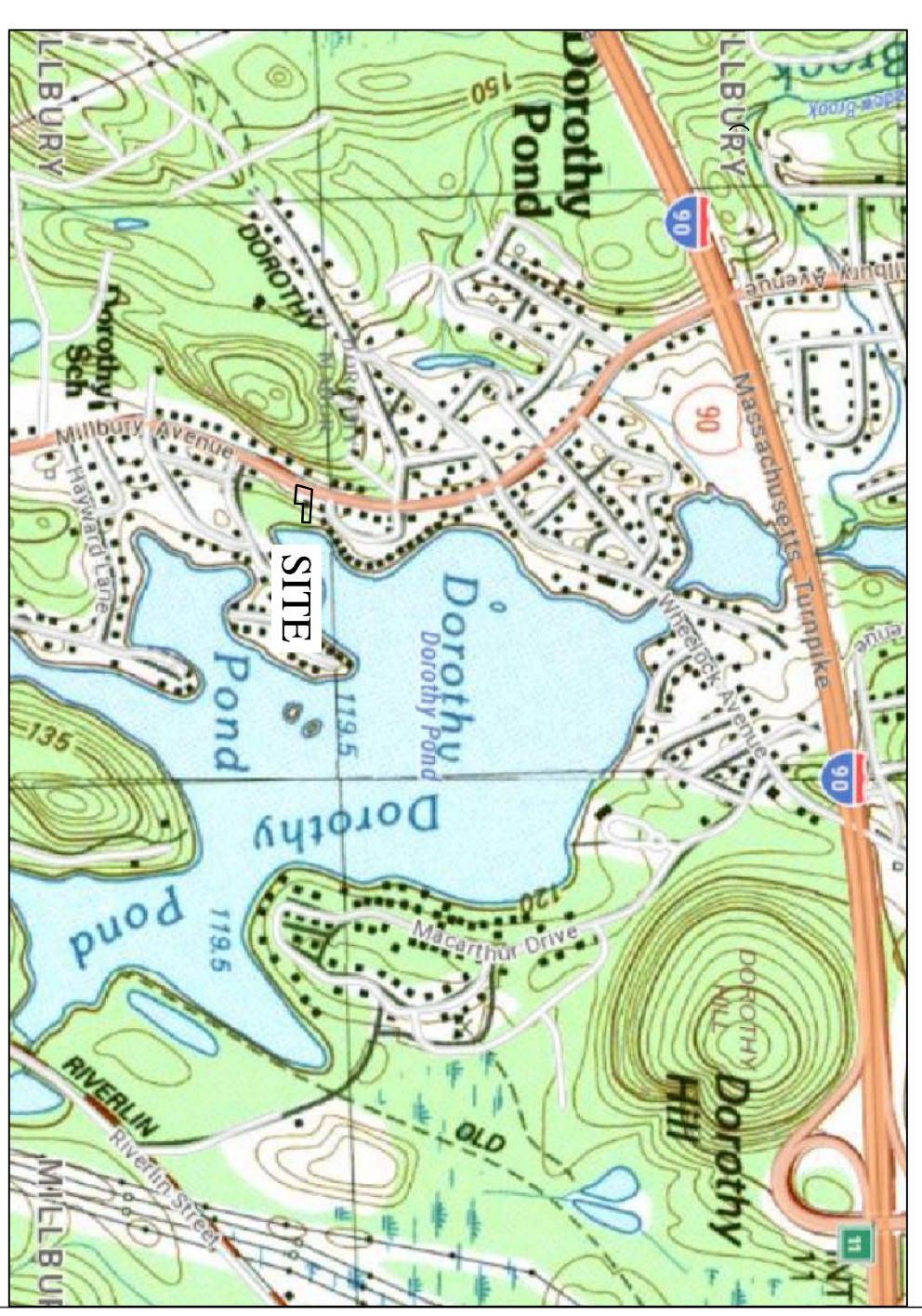
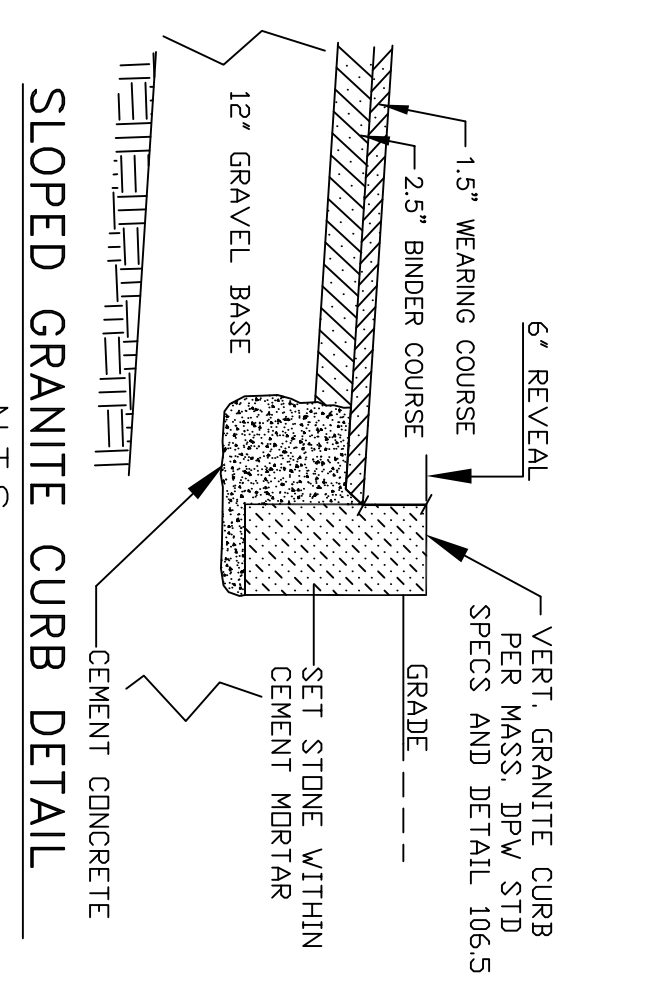
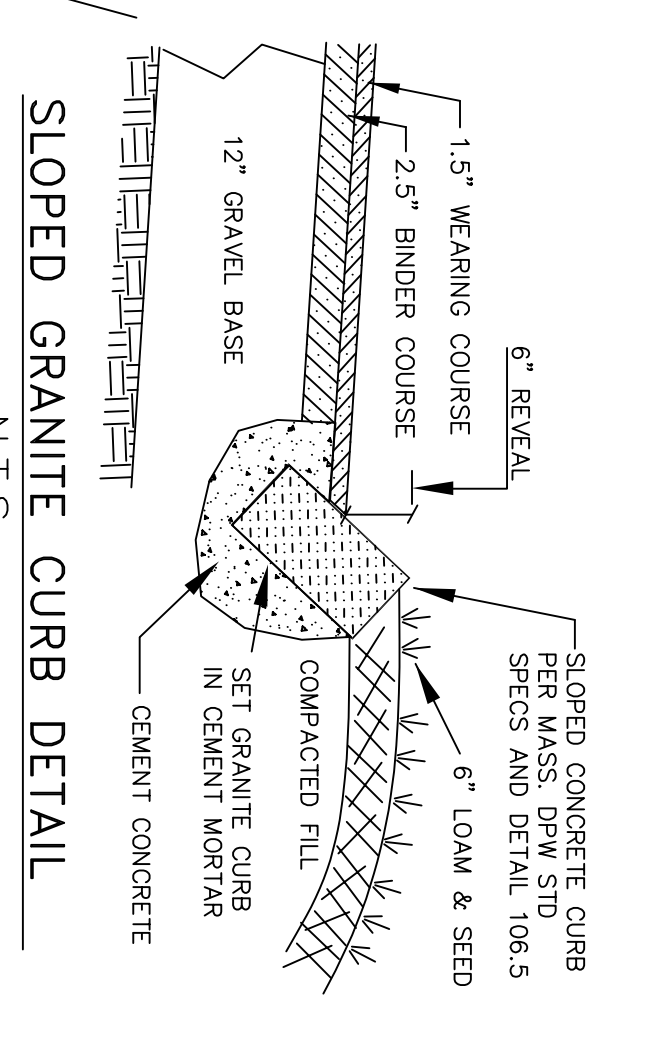
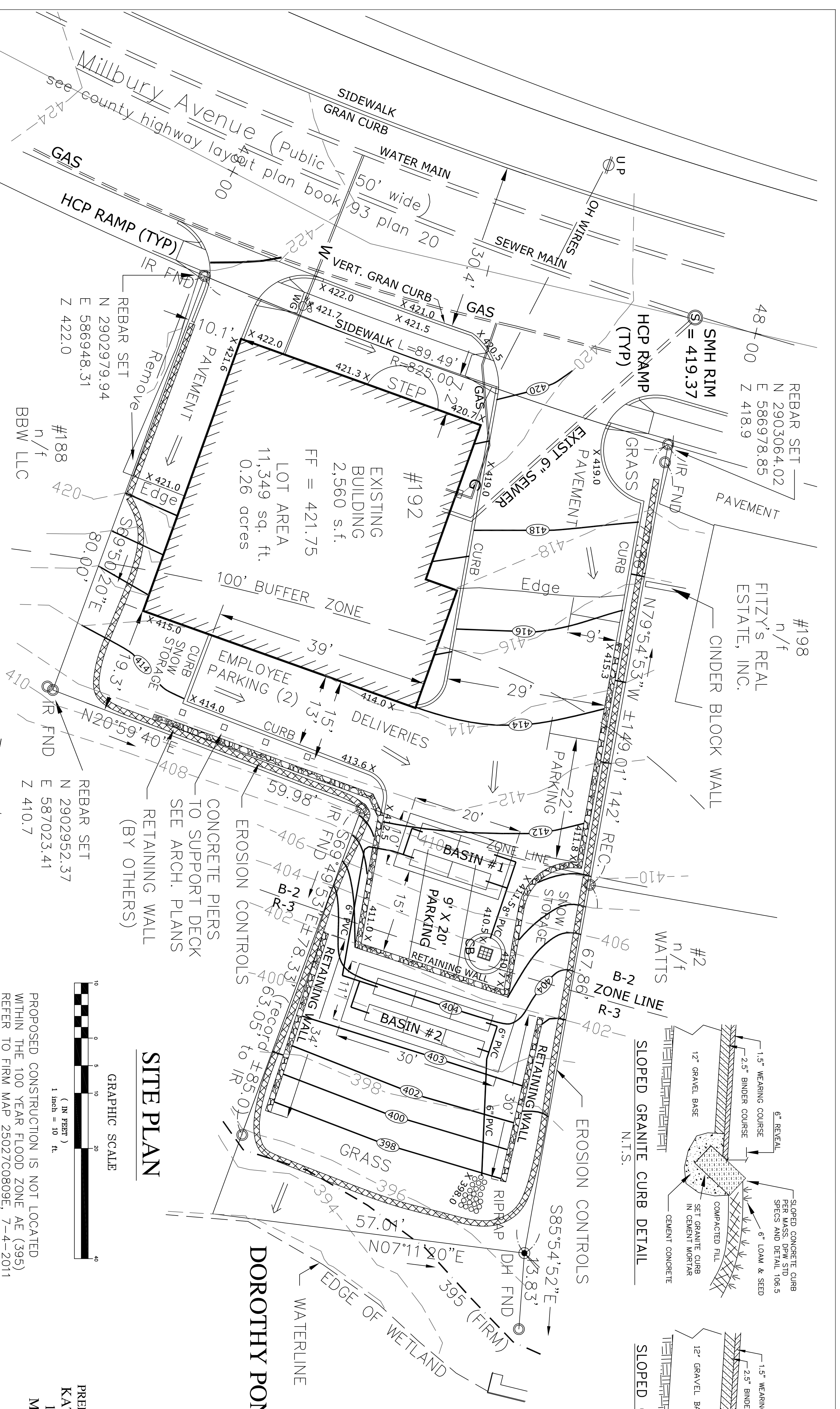


SITE PLAN
APPROVED
MILLBURY
PLANNING BOARD

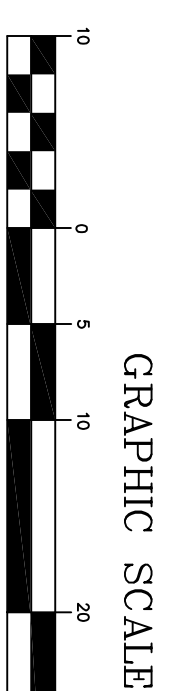
DATE



DOROTHY POND



SITE PLAN



PROPOSED CONSTRUCTION IS NOT LOCATED WITHIN THE 100 YEAR FLOOD ZONE AE (395) REFER TO FIRM MAP 25027C0809E, 7-4-2011

SHEET 1 of 3 - COVER - SITE PLAN
SHEET 2 of 3 - STORMWATER PLAN
SHEET 3 of 3 - LANDSCAPE PLAN

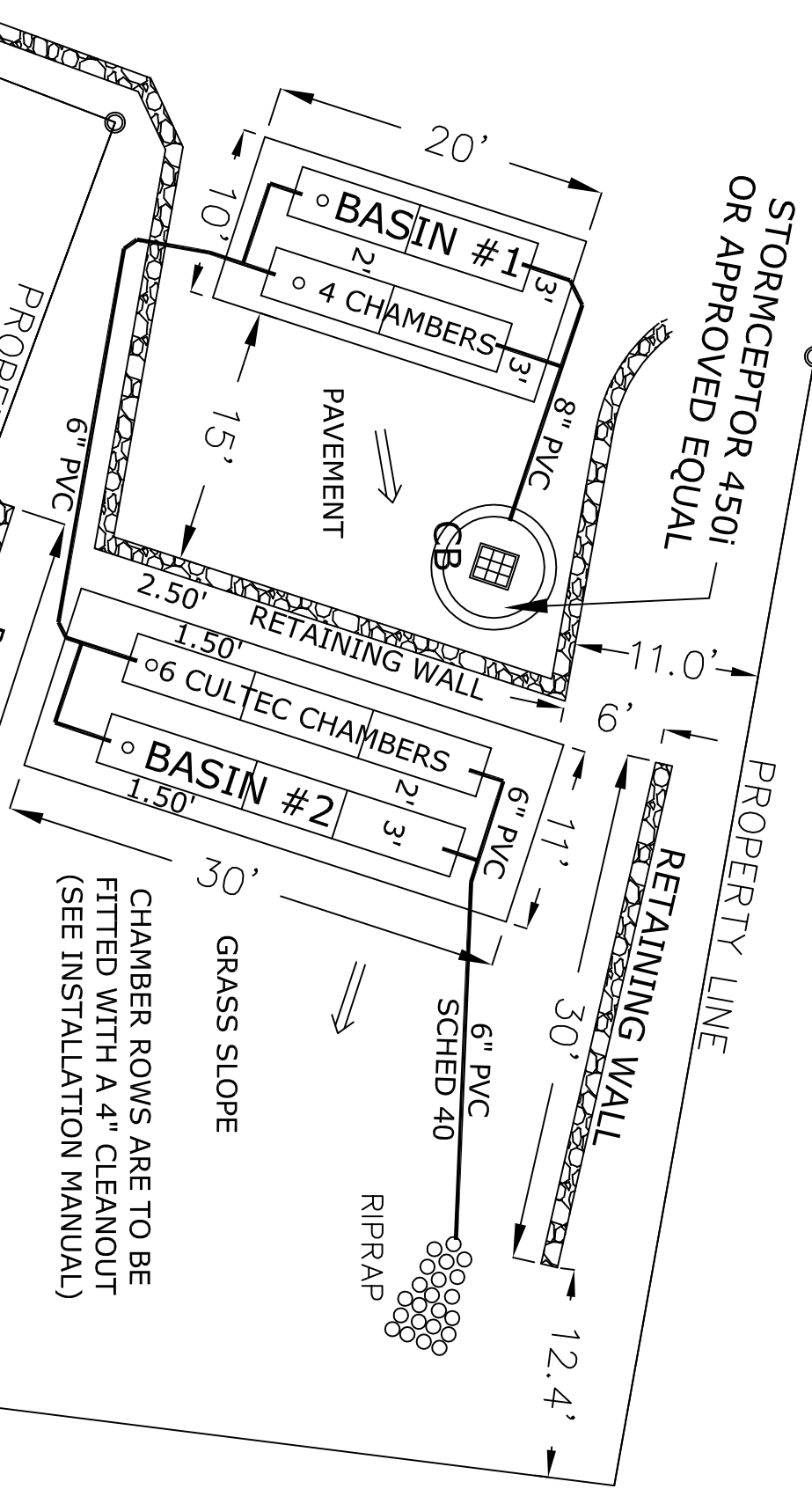
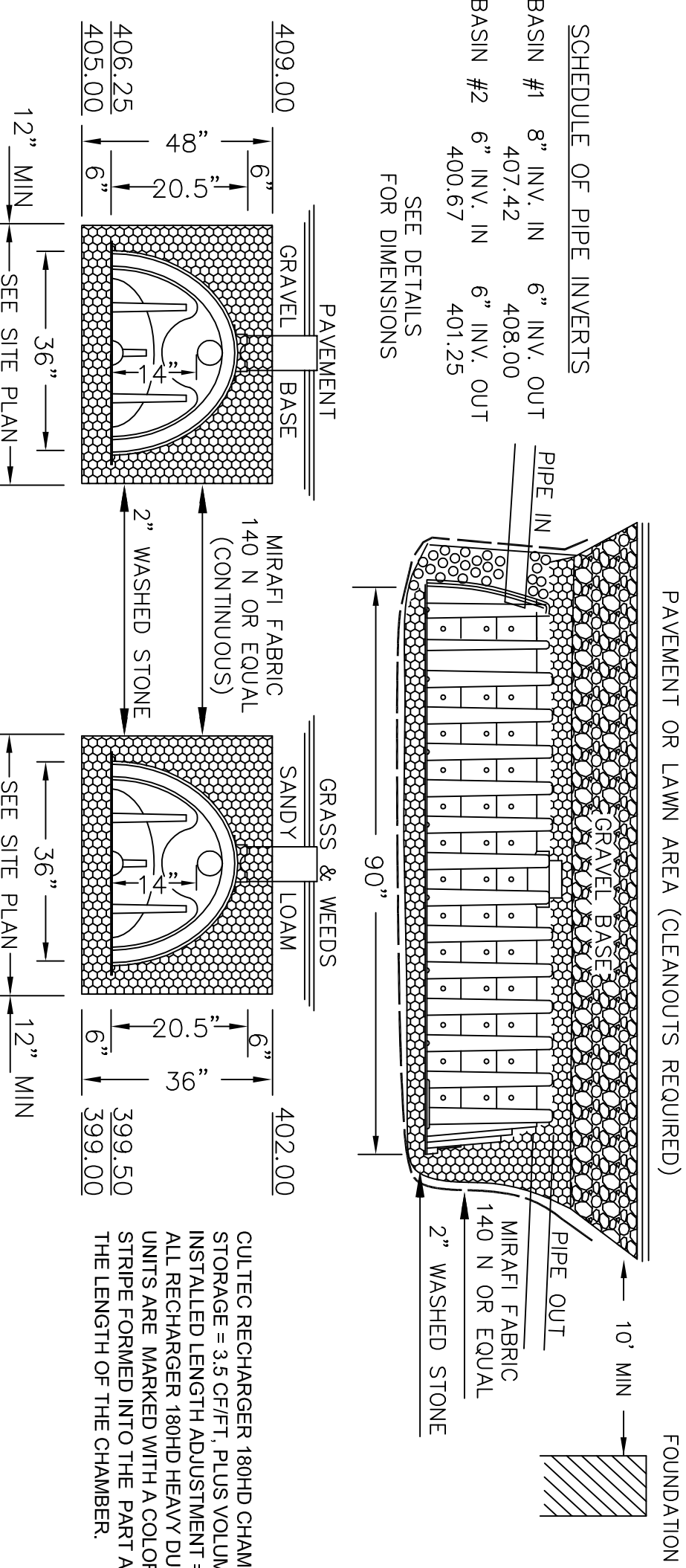
LEGEND

- SMH SEWER MANHOLE
- MH DRAIN MANHOLE
- CATCH BASIN
- EXISTING TOPD (NAVD88)
- PROPOSED GRADE
- BUILDING SETBACK
- UTILITY POLE
- TEST PIT
- DRAINAGE FLOW
- EROSION CONTROLS
- RETAINING WALL
- ELECTRIC LINE
- SEWER LINE
- WATER LINE

DATUM:
NAD 83
NAVD 88

DATE: 8-25-2021
SHEET: 1 OF 3

PREPARED FOR & OWNED BY
KATHERINE FAIRBANKS
19 McGRATH ROAD
MILLBURY, MA 01527
SCALE: 1" = 20'
AUGUST 25, 2021



1/20/2021/21 8-25-21
NORMAN G. HILL, PE DATE
LAND PLANNING, INC.
214 Worcester Street
North Grafton, Massachusetts 01536

DEP FILE # CER0 224-XXXX

DESIGNED BY: R. G. Murphy
DRAWN BY: R. G. Murphy
SCALE: 1" = 20'
PLAN NO.: S-18-24
SHEET: 1 OF 3

ROBERT G. MURPHY & ASSOC., INC.
ENVIRONMENTAL CONSULTANTS
214 Worcester Street
No. Grafton, Massachusetts 01536
Fax: (508) 839-5914

SITE PLAN
192 MILLBURY AVE.
MILLBURY, MASSACHUSETTS

REVISIONS:

